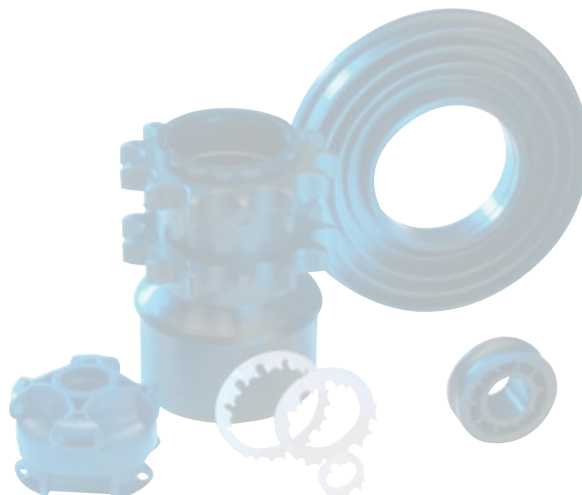


**KKR-1/2"x5/16"-Z13**

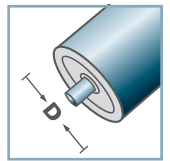
Type	$D_i + 0,2$	$D_a$
50x1,5.40	47,3	49,9

**Other dimensions on request!**

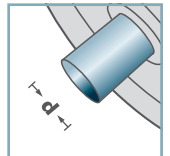
Housing: Plastic



**KKR-40**



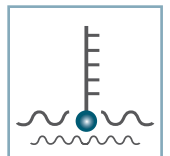
**D** [mm]  
50



**d** [mm]  
-



**C** [daN]  
-



**T** [°C]  
0° - 80°



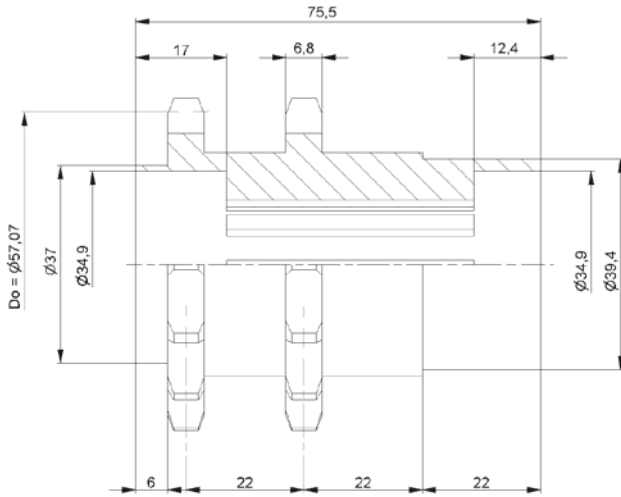
-



**Carton** [pcs.]

150

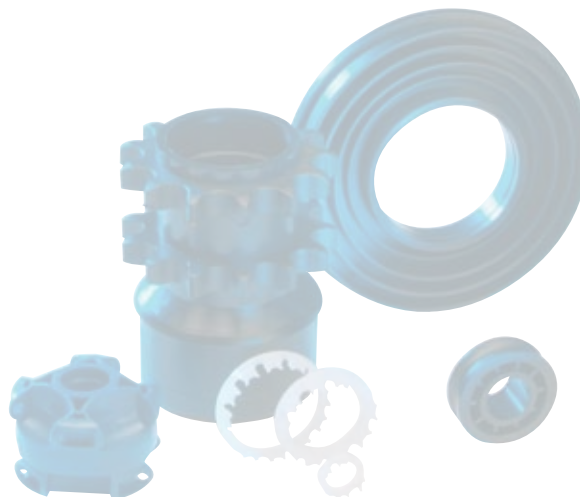
# Plastic Sprocket Wheel



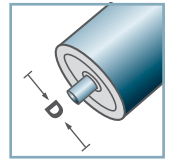
**KKR-1/2"x5/16"-Z14**

**Other dimensions on request!**

Housing: Plastic

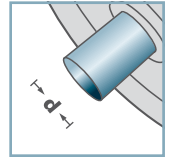


**KKR-40**



**D** [mm]

-



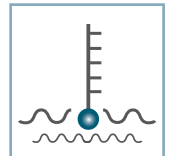
**d** [mm]

-



**C** [daN]

-



**T** [°C]

0° - 80°



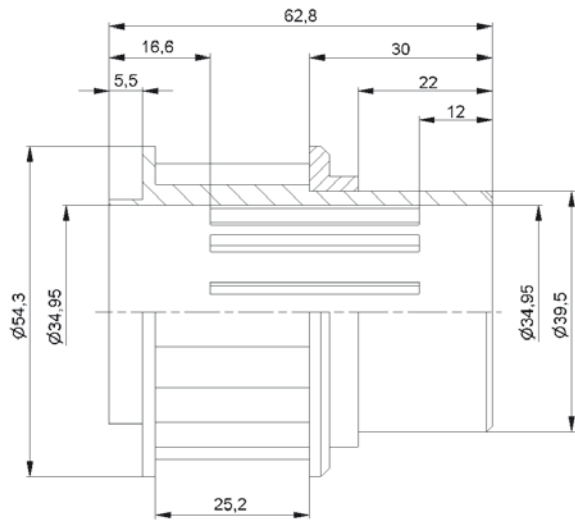
-



**Carton** [pcs.]

100

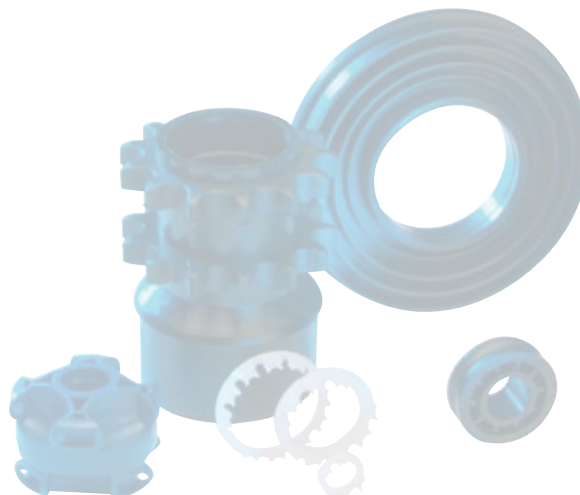
# Plastic Sprocket Wheel



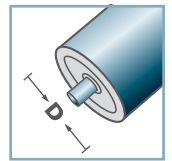
**KZA-Z20.40**

**Other dimensions on request!**

Housing: Plastic

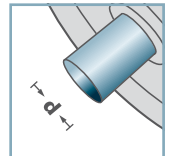


**KZA-40**



**D** [mm]

-



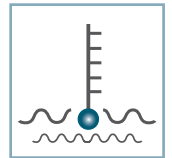
**d** [mm]

-



**C** [daN]

-



**T** [°C]

0° - 80°



-

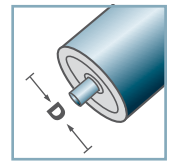
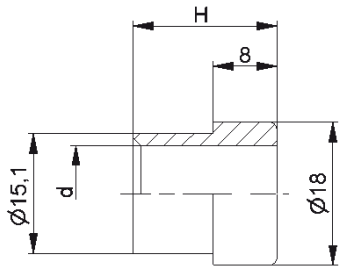


**Carton** [pcs.]

100

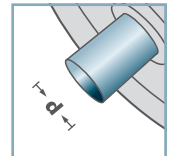
# Plastic Synchronous Belt Drive

**KKR-40**



**D** [mm]

-



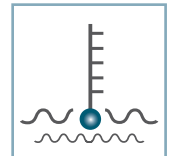
**d** [mm]

10; 12; 14; SW11



**C** [daN]

-



**T** [°C]

0° - 80°



-



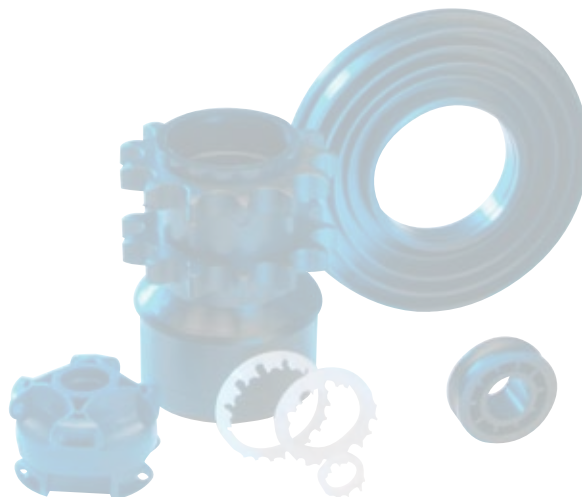
**Carton** [pcs.]

1000

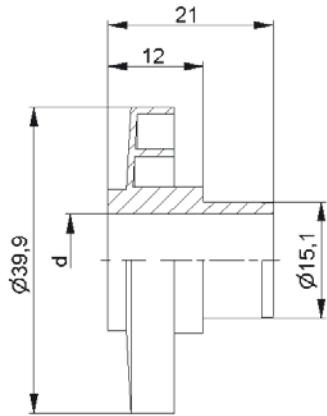
KKR-40		
	<b>d</b>	<b>H</b>
KKR-40	10	19
KKR-40	12	18
KKR-40	14	19
KKR-40	SW11	19

**Other dimensions on request!**

Reducing Bush: Plastic



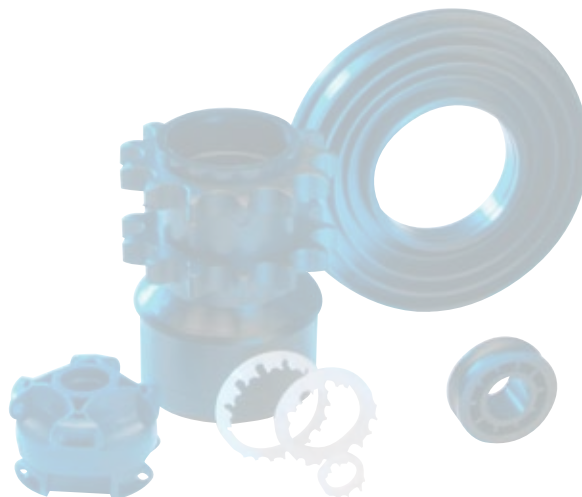
# Reducing Bush



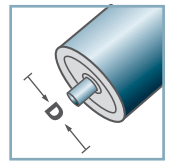
KKR-40	
Typ	d
KKR-40	10
KKR-40	12
KKR-40	14
KKR-40	SW11

**Other dimensions on request!**

Labyrinth Seal: Plastic

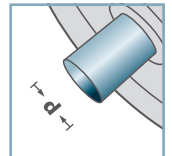


**KKR-40**



**D** [mm]

-



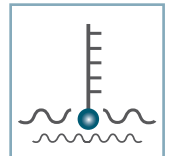
**d** [mm]

10; 12; 14; SW11



**C** [daN]

-



**T** [°C]

0° - 80°



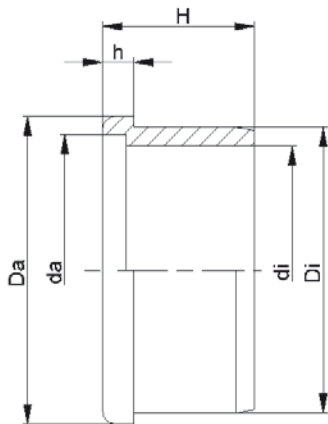
-



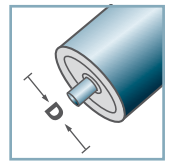
**Carton** [pcs.]

200

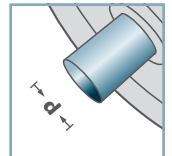
# Labyrinth Seal



**KKR-40**



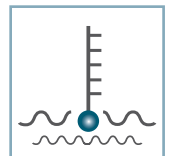
**D** [mm]  
50 - 60



**d** [mm]  
-



**C** [daN]  
-



**T** [°C]  
0° - 80°



-



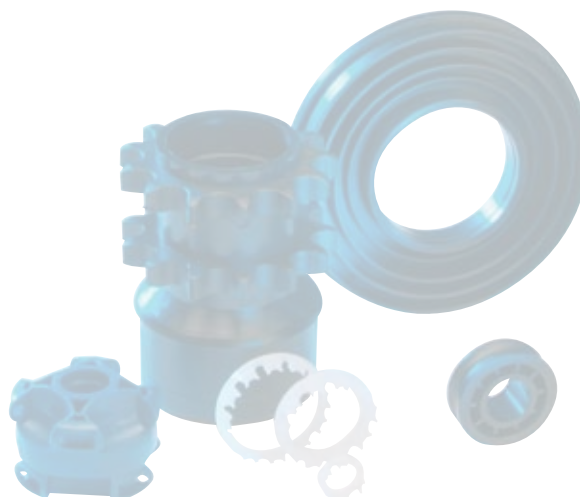
**Carton** [pcs.]

400

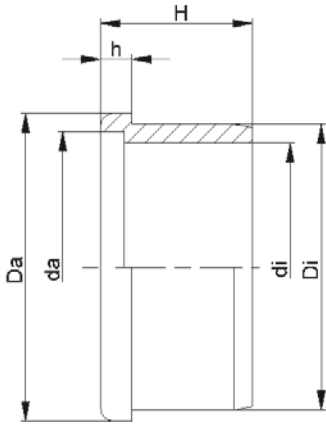
KKR-40						
Typ	Di	Da	di	da	H	h
50x1,5	47,25	50	39,3	42,6	25,2	5
50x2,8	44,7	50	39,3	42,6	25,2	5
60x1,5	57,3	60	47,0	50,7	25,5	5
60x2,0	56,3	60	47,0	50,7	25,5	5

**Other dimensions on request!**

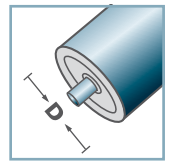
Distance Ring Fix: Plastic



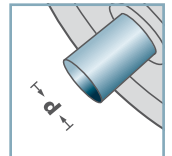
# Distance Ring Fix



**KKR-40**



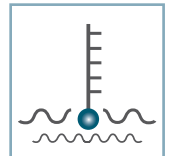
**D** [mm]  
50 - 60



**d** [mm]  
-



**C** [daN]  
-



**T** [°C]  
0° - 80°



-



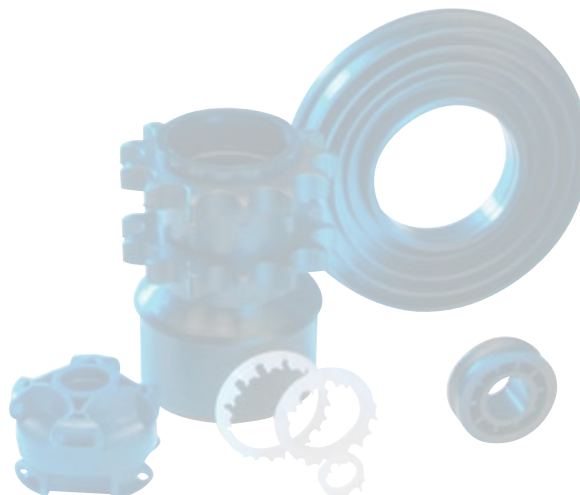
**Carton** [pcs.]

400

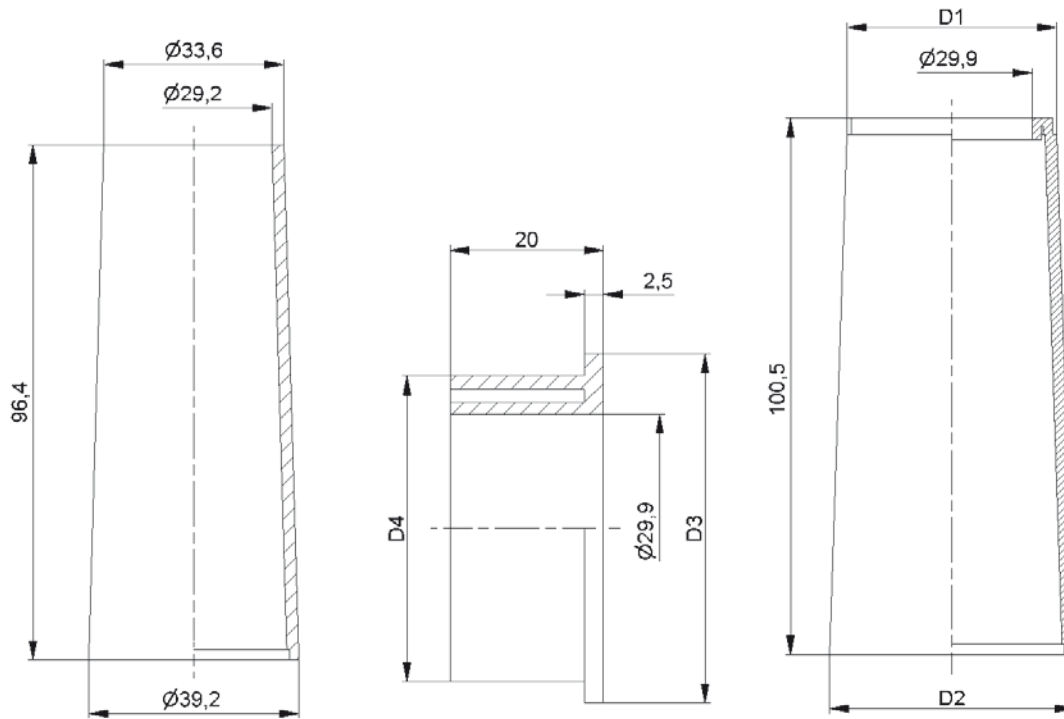
KKR-40						
Typ	Di	Da	di	da	H	h
50x1,5	47,2	50	40,6	44,6	25	5
50x2,8	44,6	49,7	40,6	44,6	25	4,8

**Other dimensions on request!**

Distance Ring Friction: Plastic



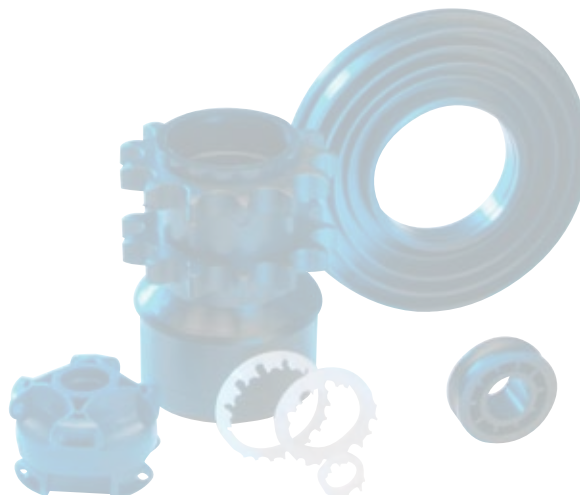
# Distance Ring Friction



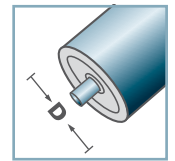
KF-30				
Type	D1	D2	D3	D4
KF-30 II	39,1	45,6	45,6	40,0
KF-30 III	45,7	52,1	52,1	46,7
KF-30 IV	52,2	58,8	57,9	57,9
KF-30 V	58,6	65,1	64,9	60,0
KF-30 VI	65,2	71,9	71,3	66,4

**Other dimensions on request!**

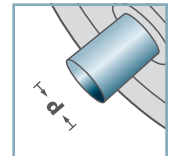
- ☛ Conic Roller: Plastic
- ☛ Endcap: Plastic



**KF-30**



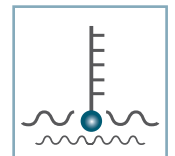
**D** [mm]  
30



**d** [mm]



**C** [daN]



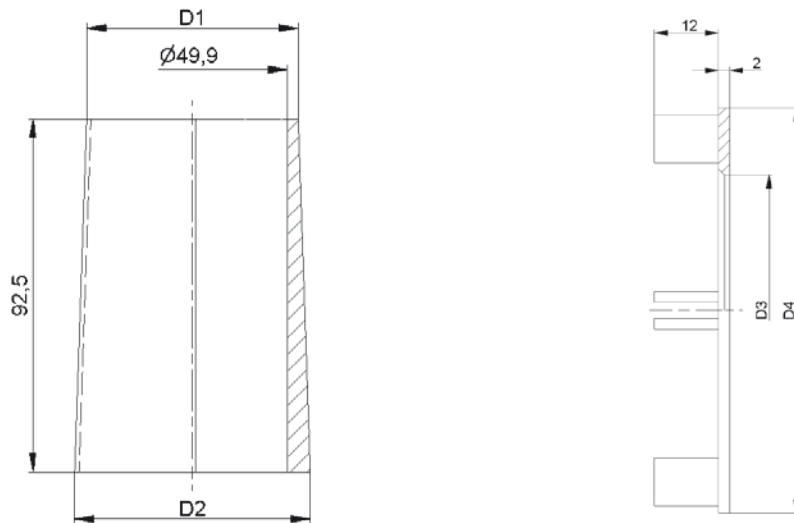
**T** [°C]  
0° - 80°



**Carton** [pcs.]

# Taper Sleeves

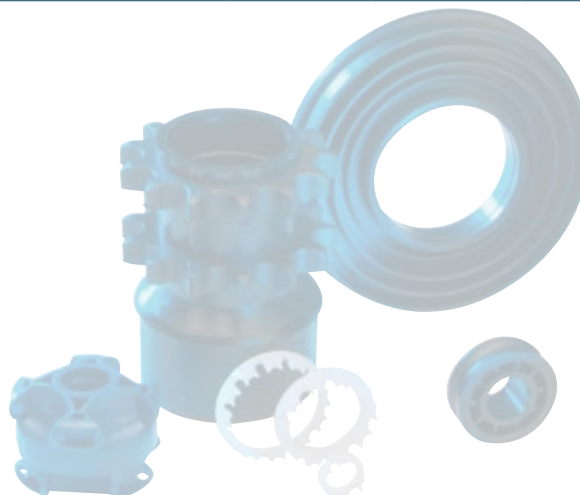




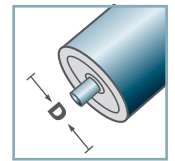
KF-50					
Type	D1	D2	L	D3	D4
KF-50 I-a	53,4	59,7	92,5	-	-
KF-50 II	60,0	66,5	100,0	-	-
KF-50 III	66,5	73,0	99,0	-	-
KF-50 IV	73,5	80,0	100,0	50,6	75,5
KF-50 V	80,0	86,5	95,5	50,7	81,7
KF-50 VI	86,5	93,5	100,0	50,6	87,7
KF-50 VII	93,5	100,0	100,0	50,6	94,3
KF-50 VIII	100,0	106,5	95,5	-	-
KF-50 IX	106,5	113,0	95,5	-	-
KF-50 X	113,0	119,5	95,5	-	-

**Other dimensions on request!**

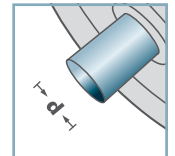
- ☛ Conic Roller: Plastic
- ☛ Endcap: Plastic



**KF-50**



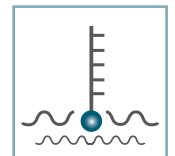
**D** [mm]  
50



**d** [mm]  
-



**C** [daN]  
-

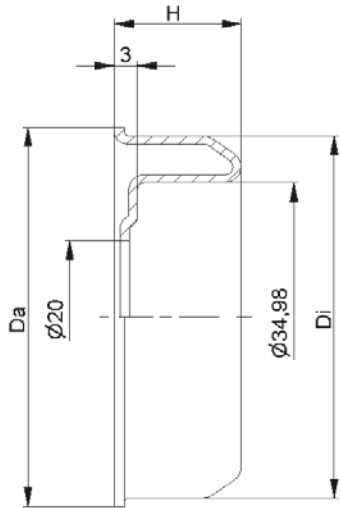


**T** [°C]  
0° - 80°



**Carton** [pcs.]

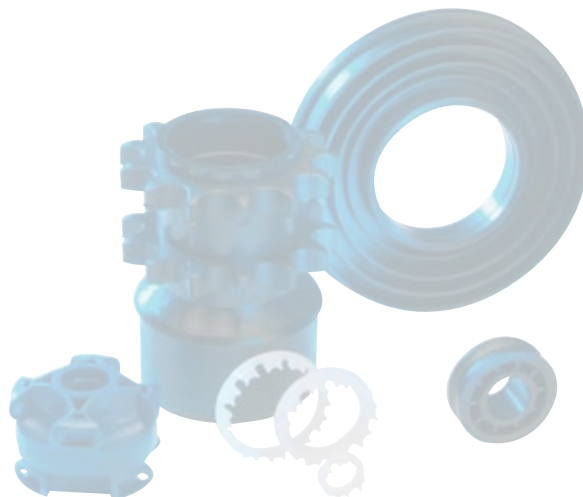
# Taper Sleeves



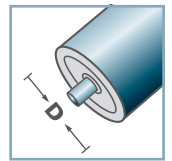
MRK-40			
Type	Di ±0,1	Da	H
MRK-50x1,5.40	47,3	49,5	16
MRK-50x2,0.40	46,3	49,5	16
MRK-60x2,0.40	56,3	59,5	16,5
MRK-60x3,0.40	54,3	59,5	16,5

**Other dimensions on request!**

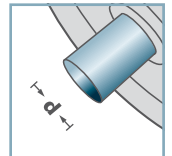
☛ Housing: Steel, Zinc plated



**MRK-40**



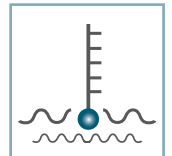
**D** [mm]  
50 - 60



**d** [mm]  
15



**C** [daN]  
-



**T** [°C]  
-



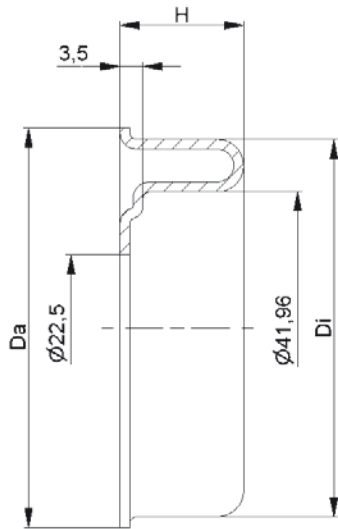
6202:  
D35; d15; H11



**Carton** [pcs.]

ø50: 100  
ø60: 250

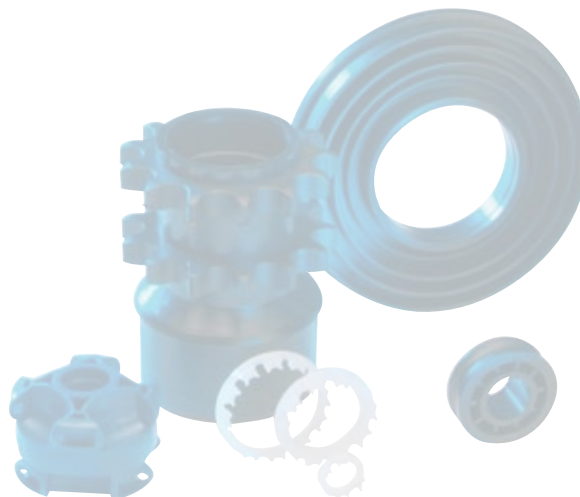
# Steel Housing



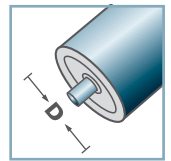
MRK-6004			
Type	Di ±0,1	Da	H
MRK-63,5x2,9/6004	58,1	61,5	19,0

**Other dimensions on request!**

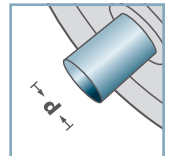
☛ Housing: Steel, Zinc plated



**MRK-6004**



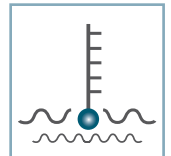
**D** [mm]  
63,5



**d** [mm]  
20



**C** [daN]  
-



**T** [°C]  
-



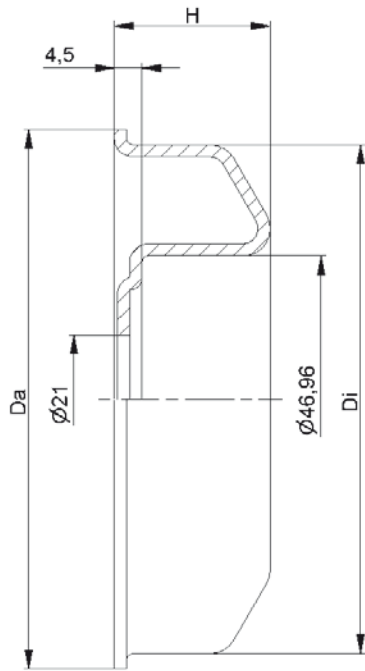
6004:  
D42; d20; H12



**Carton** [pcs.]

50

# Steel Housing

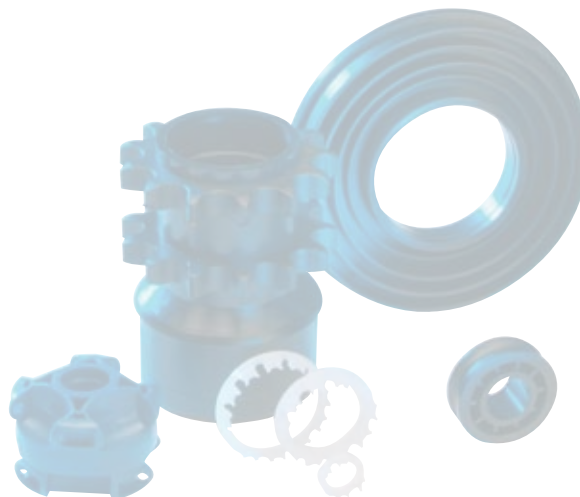


**MRK-6204**

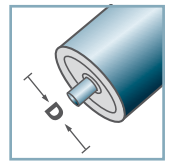
Type	Di ±0,1	Da	H
MRK-80x2,0/6204	76,5	79,5	23,5
MRK-80x3,0/6204	74,5	79,5	23,5
MRK-89x3,0/6204	83,5	88,5	23,5
MRK-89x3,25/6204	83,0	88,5	23,5
MRK-108x3,25/6204	102,0	107,5	25,0

**Other dimensions on request!**

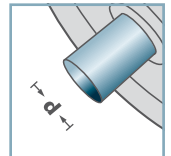
**C** Housing: Steel, Zinc plated



**MRK-6204**



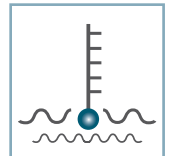
**D** [mm]  
80 - 108



**d** [mm]  
20



**C** [daN]  
-



**T** [°C]  
-



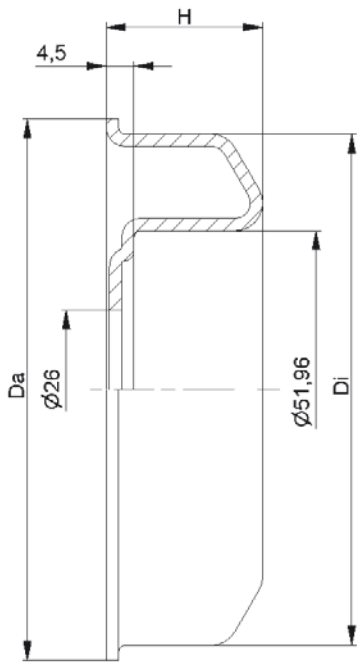
6204:  
D47; d20; H14



**Carton** [pcs.]

50

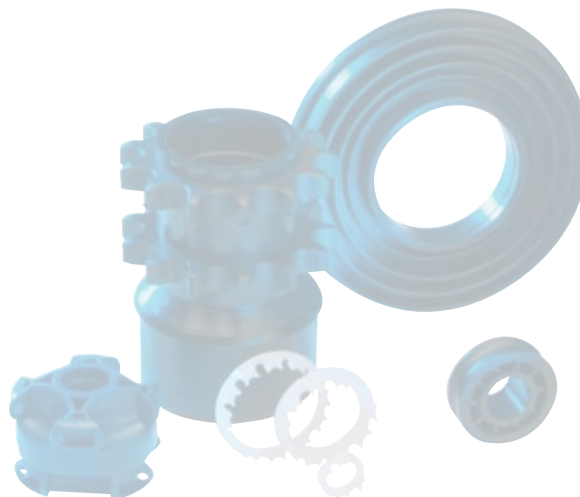
# Steel Housing



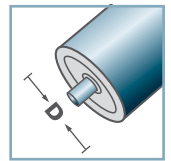
MRK-6205			
Type	Di ±0,1	Da	H
MRK-80x2,0/6205	76,5	79,5	23,5
MRK-80x3,0/6205	74,5	79,5	23,5
MRK-89x3,0/6205	83,5	88,5	24,5
MRK-108x3,25/6205	102,0	107,5	25,5

**Other dimensions on request!**

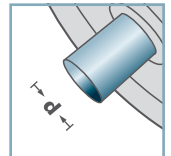
☛ Housing: Steel, Zinc plated



**MRK-6205**



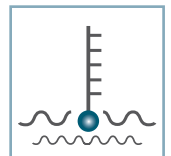
**D** [mm]  
80 - 108



**d** [mm]  
25



**C** [daN]  
-



**T** [°C]  
-



6205:  
D52; d25; H15



**Carton** [pcs.]

50

# Steel Housing