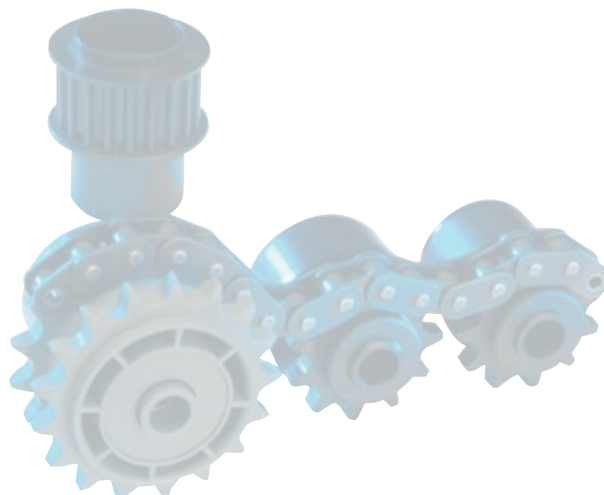


KKR-1/2"x5/16"-Z11 for fix driving

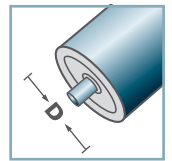
Type	Di +0,2	Da
50x1,5.40	47,3	49,9
50x2,0.40	46,3	49,9
50x2,8.40	44,6	49,9

Other dimensions on request!

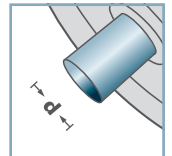
- ☛ Housing: Plastic
- ☛ Reducing Bush: Plastic
- ☛ Bearing 6202



KKR-40



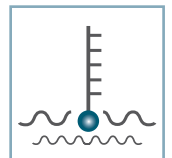
D [mm]
50



d [mm]
12



C [daN]
-



T [°C]
0° - 80°



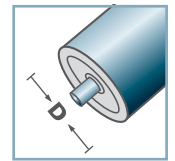
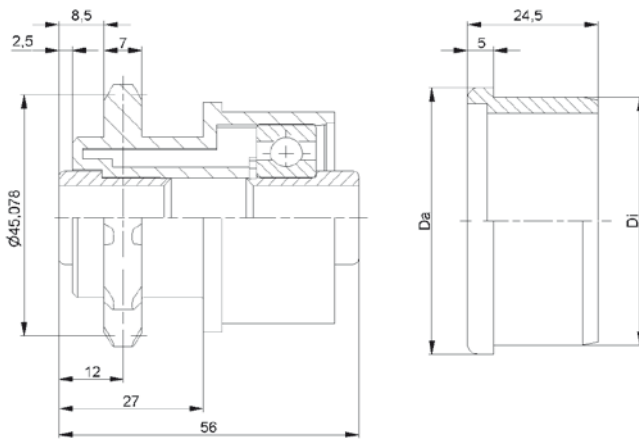
EP 2



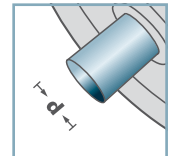
Carton [pcs.]

150

KKR-40



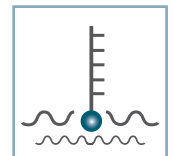
D [mm]
50



d [mm]
12



C [daN]
-



T [°C]
0° - 80°



EP 2



Carton [pcs.]

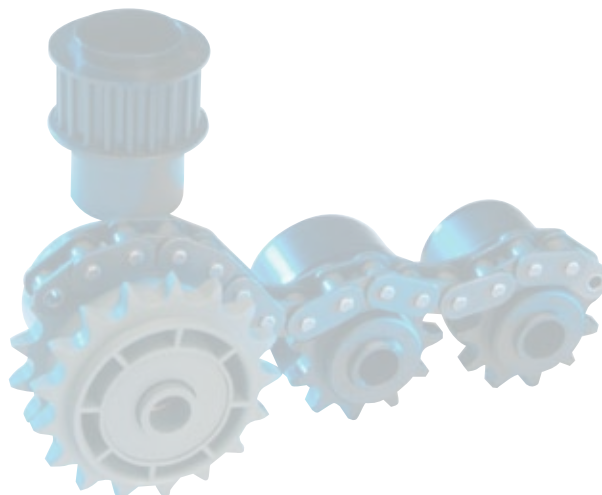
Housing:
150
Sliding Ring:
300

KKR-1/2"x5/16"-Z11 for friction driving

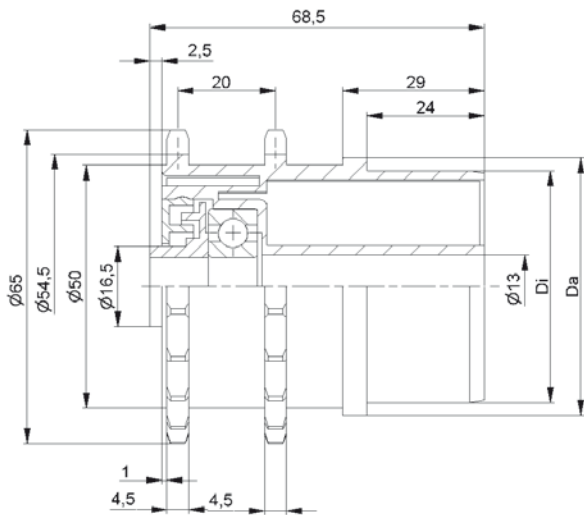
Type	Di +0,2	Da
50x1,5.40 ST	47,3	49,9
50x2,0.40 ST	46,3	49,9
50x2,8.40 ST	44,6	49,9

Other dimensions on request!

- ☛ Housing: Plastic
- ☛ Reducing Bush: Plastic
- ☛ Sliding Ring: Plastic
- ☛ Bearing 6202



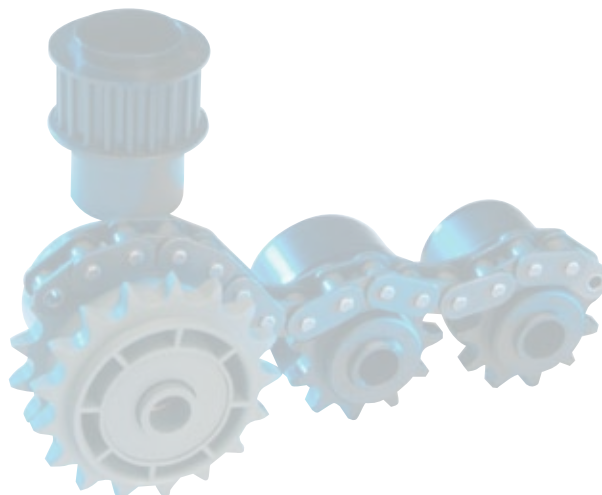
Sprockets



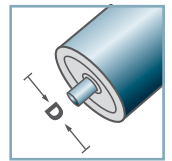
KKR-3/8"x3/16"-Z20		
Type	Di +0,2	Da
53x3,0.41	47,6	52,9

Other dimensions on request!

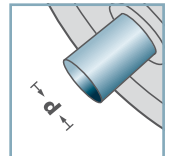
- ☛ Housing: Plastic
- ☛ Inner Labyrinth Seal: Plastic
- ☛ Outer Labyrinth Seal: Plastic
- ☛ Bearing 6201



KKR-41



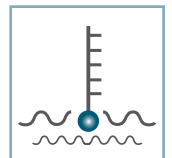
D [mm]
53



d [mm]
12



C [daN]
-



T [°C]
0° - 80°

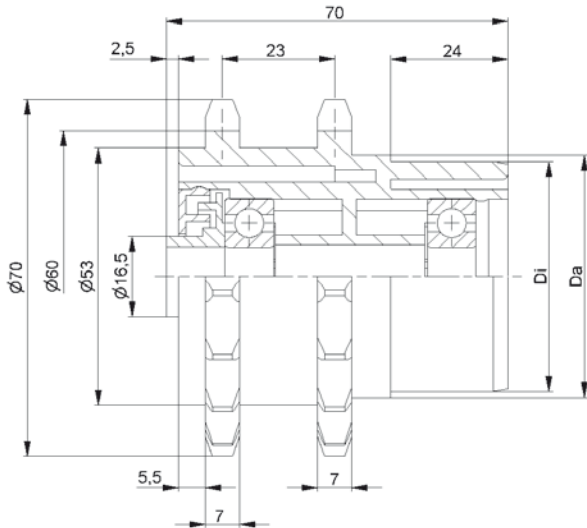


EP 2



Carton [pcs.]

60

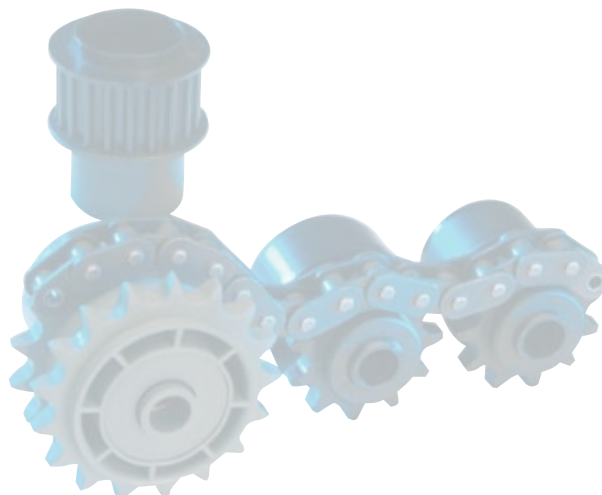


KKR-1/2"x5/16"-Z17

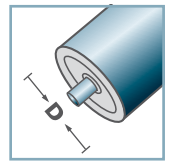
Type	$D_i + 0,2$	D_a
50x1,5.41	47,3	49,8

Other dimensions on request!

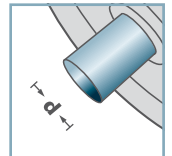
- ☛ Housing: Plastic
- ☛ Inner Labyrinth Seal: Plastic
- ☛ Outer Labyrinth Seal: Plastic
- ☛ Bearing 6201



KKR-41



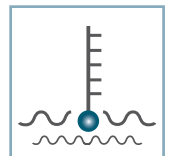
D [mm]
50



d [mm]
12



C [daN]
-



T [°C]
0° - 80°

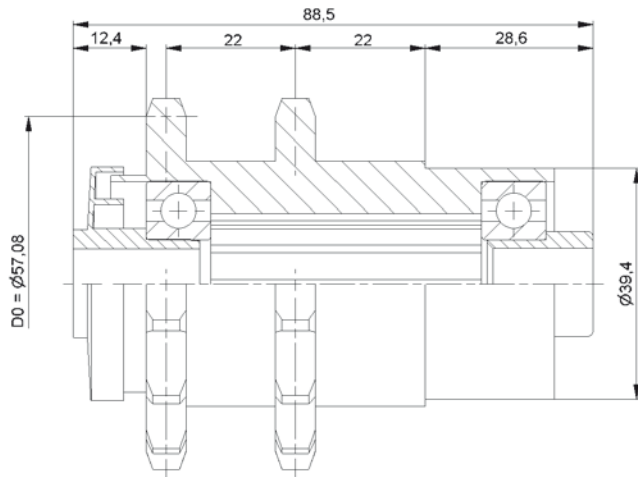


EP 2



Carton [pcs.]

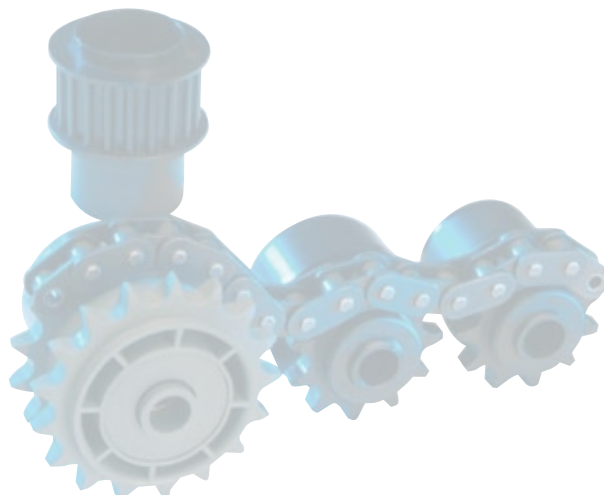
60



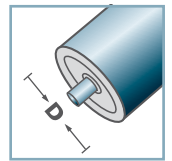
KKR-1/2"x5/16"-Z14

Other dimensions on request!

- ☛ Housing: Plastic
- ☛ Labyrinth Seal: Plastic
- ☛ Reducing Bush: Plastic
- ☛ Bearing 6202

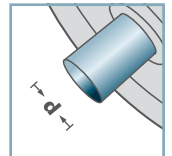


KKR-40



D [mm]

-



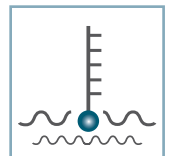
d [mm]

12



C [daN]

-



T [°C]

0° - 80°

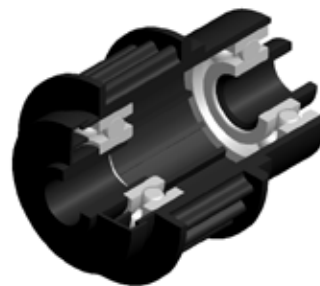
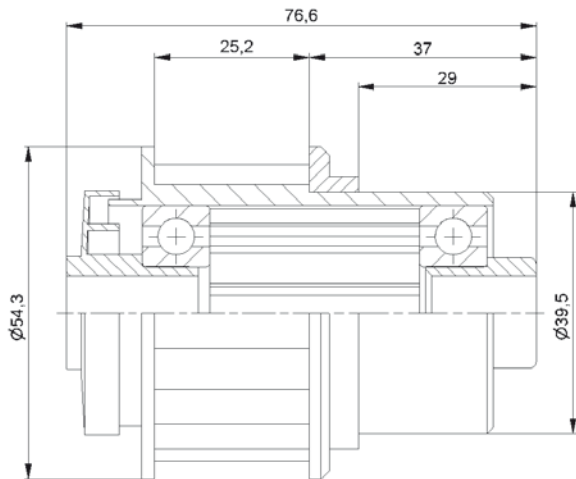


-



Carton [pcs.]

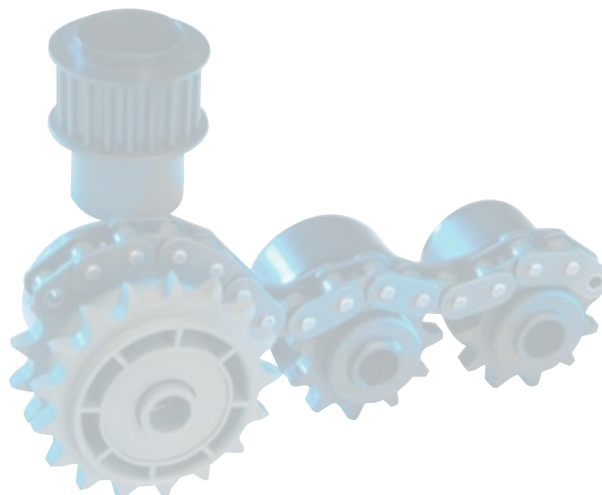
100



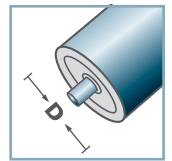
KZA-Z20.40

Other dimensions on request!

- ☛ Housing: Plastic
- ☛ Labyrinth Seal: Plastic
- ☛ Reducing Bush: Plastic
- ☛ Bearing 6202

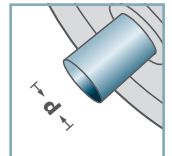


KZA-40



D [mm]

-



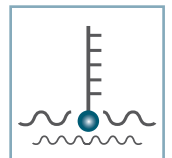
d [mm]

12



C [daN]

-



T [°C]

0° - 80°



-



Carton [pcs.]

100